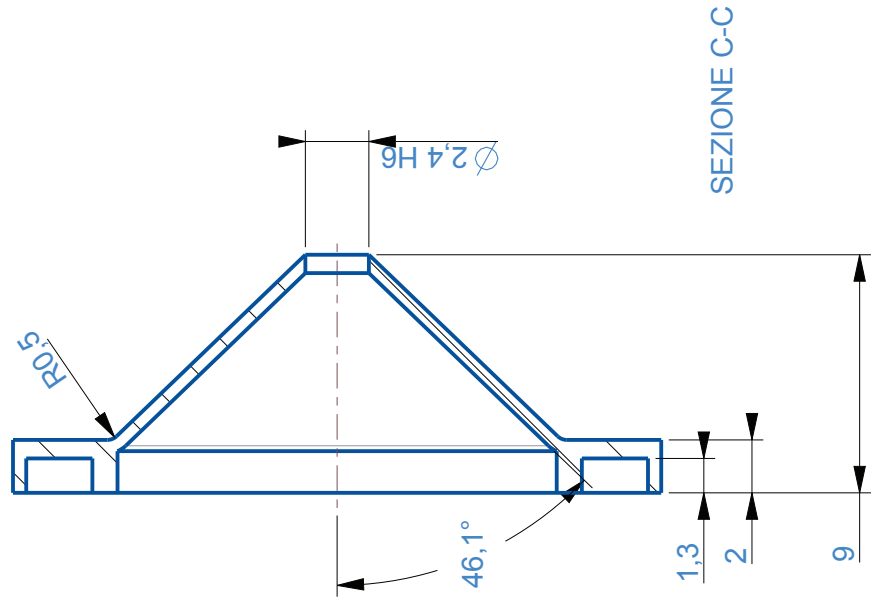
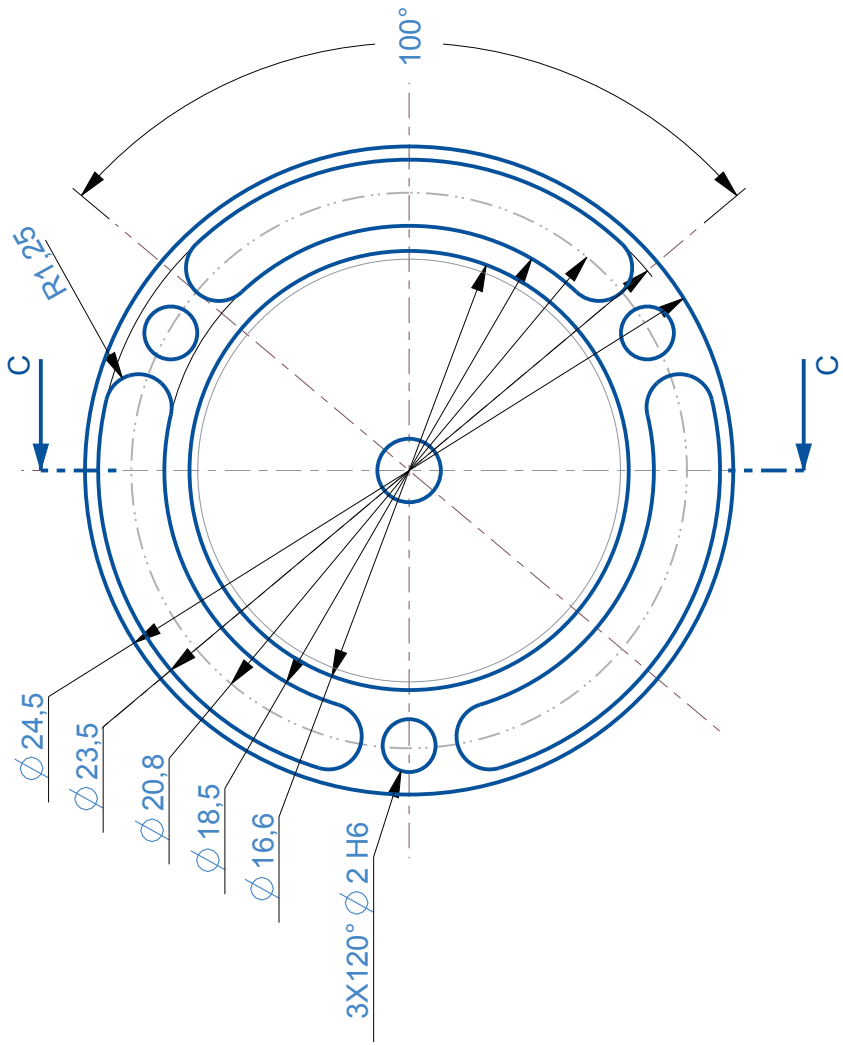
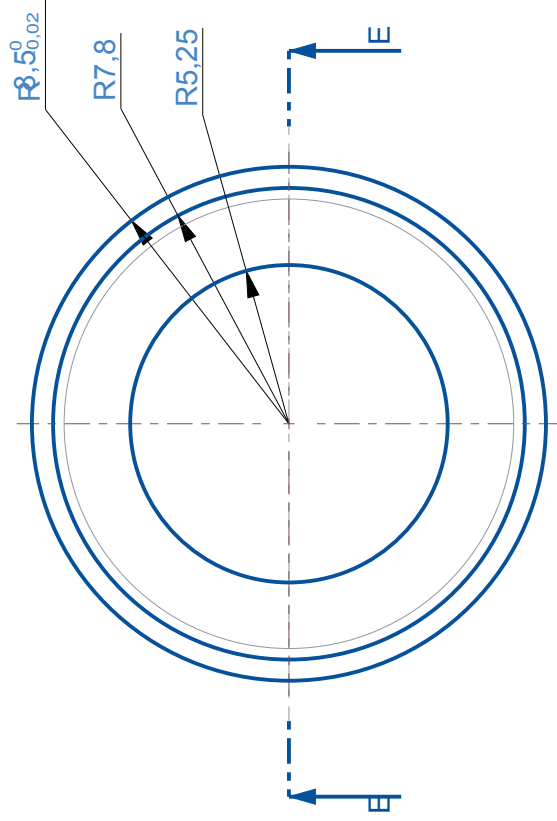
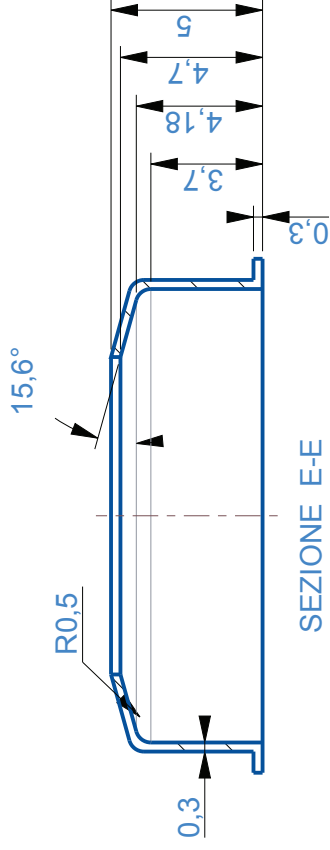


part name:	EXM-MMD-SCH-POLIMI rotor	part code:	103	material:	Al7075	number of items:	1
finishing:	MicroMED	unless otherwise specified, Tolerances: Finishing:		drawn by:			
remarks:	issue: 004	ISO 2768-fH	draw scale: 3:1		Date: 25/04/18		
						Polimi	



SEZIONE C-C

part name:		part code:	material:	number of items
EXM-MMD-SCH-POLIMI - CONE		041	AL7075	1
finishing:	MicroMED	unless otherwise specified, Finishing:		drawn by:
remarks:	issue:	ISO 2768-fH		Date:
	001	draw scale:		24/04/2018
		7:2		



part name:	part code:	material:	number of items
EXM-MMD-SCH-POLIMI BAFFLE OTTICO	016	AL7075	1
finishing:	unless otherwise specified, Finishing:		
	MicroMED	ISO 2768 fH	drawn by:
remarks:	issue:	draw scale:	Date:
	002	4:1	11/06/18

